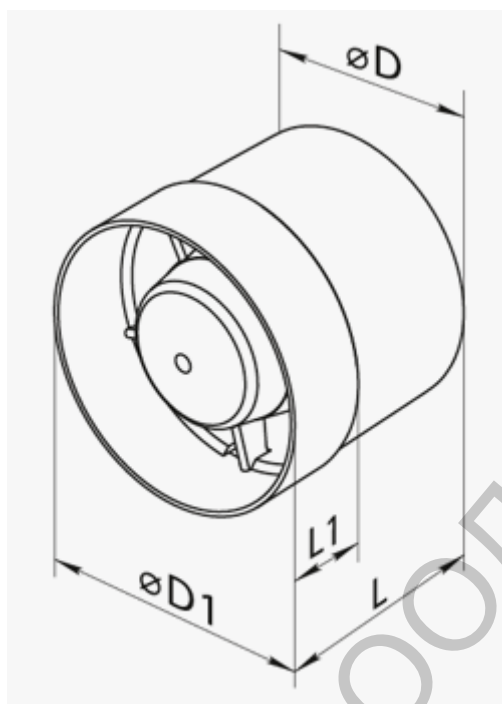


Vents 150 VKO



Parameter	Value	Unit
	Voltage	220-240
Frequency	50	Hz
Power	24	W
	0,024	kW
Extract capacity	298	m ³ /h
	175,522	CFM
	82,844	l/s
	0,08284	m ³ /s
	4976,6	l/m
Current	0.13	A
R.P.M.	2400	min ⁻¹
Noise level at 3 m	40	dBA
Weight	0.8	kg
Index of protection	IP X4	class
Dimension of connection pipe	150	mm

Vents 150 VKO



Sizes	øD	øD1	L	L1
mm	150	154	108	46

Ташев-Галвинг ООД
www.tashev-galving.com